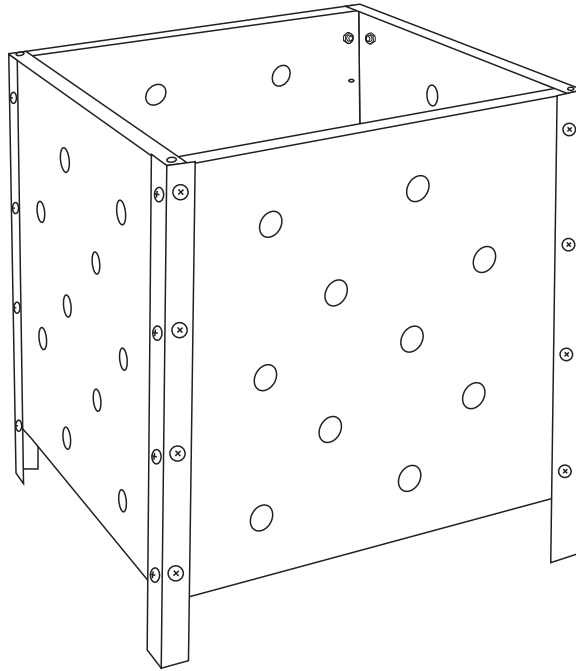


garden incinerator



Instruction manual



Read all instructions carefully before assembling and using this article. Retain them for future reference and if you are passing this product to a third party, always make sure this documentation is included.

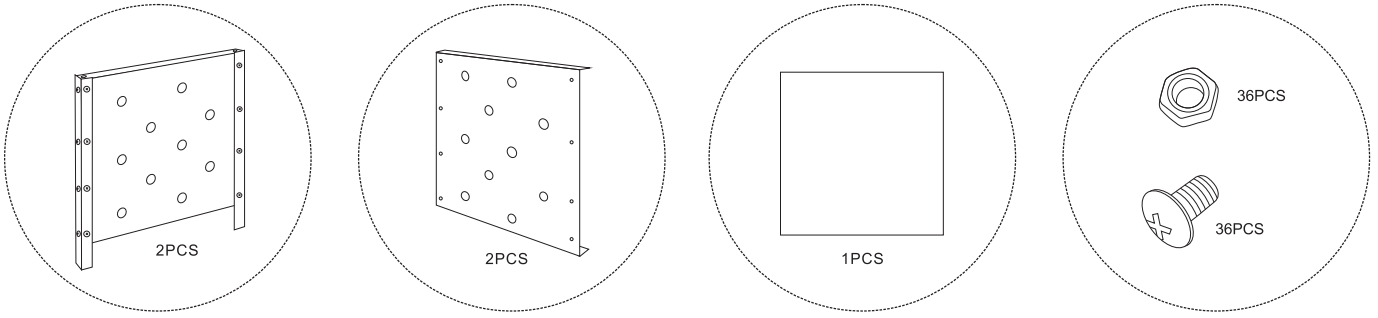
1 Intended Use

This incinerator is designed for burning of garden waste in private household, it should not be used for burning household waste or in commercial environment. Ventilation holes around the body accelerate burning.

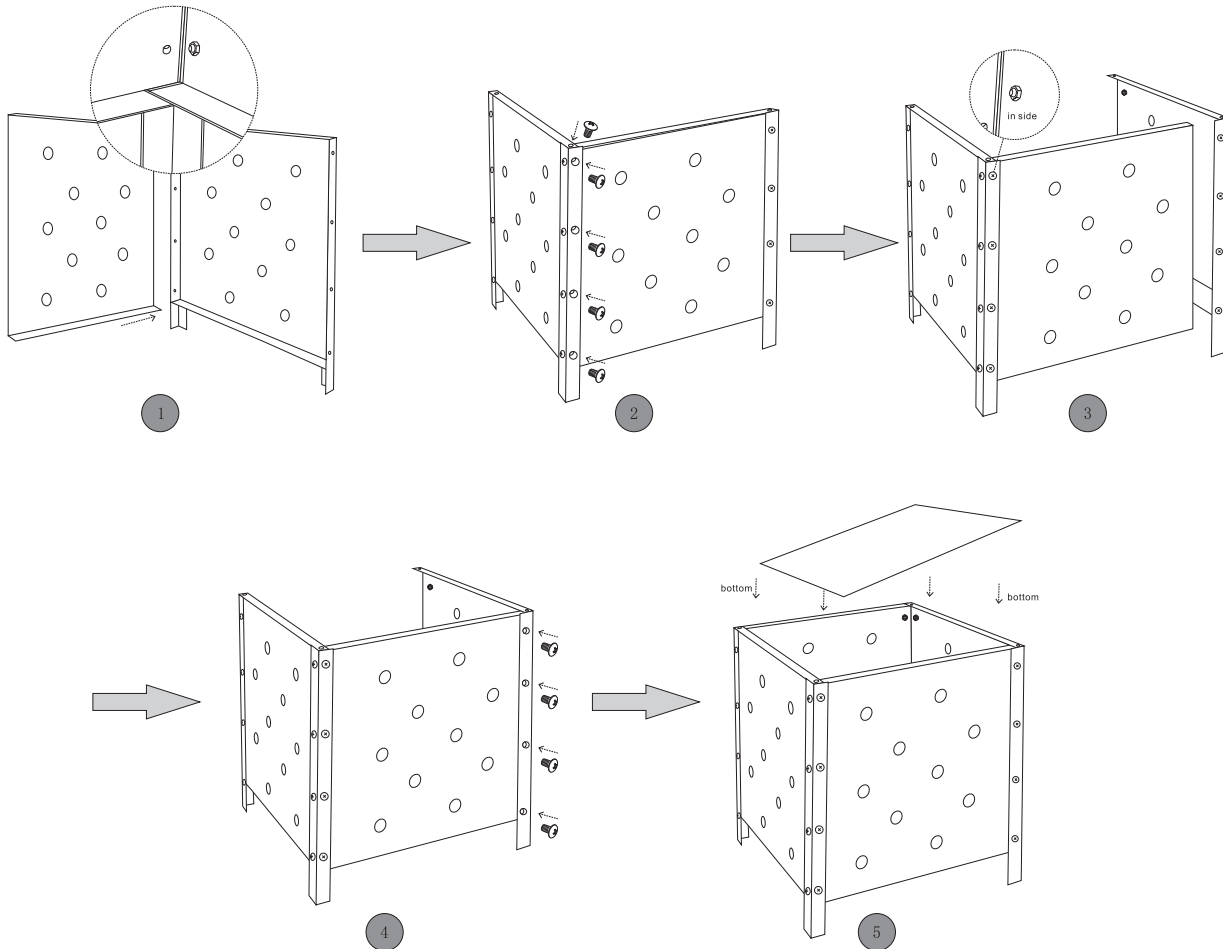
2 Safety Notes

- Risk of injury. Take caution when assembling the article as the edges may be sharp.
- Always place the incinerator on a flat surface away from dwellings, fences, hanging trees and other flammable items.
- Do not use on wooden surfaces.
- Do not use flammable liquids to start the burn.
- Do not use in windy conditions.
- Keep pets and children away from incinerator when in use.
- Always use heat resistant gloves when handling this product to avoid burns and cuts.
- Do not leave burning incinerator unattended.
- Do not touch any part of the incinerator when in use. Do not move, handle, empty or cover this product until it has completely cooled down.
- Beware of sharp edges, always wear gloves when using this product.
- Do not wear open toe shoes.
- Regular use of the incinerator can cause nuisance to your closest neighbours, inform them that you intend to burn your garden waste. If they complain to local authorities, you might be fined up to £5,000.
- Please note that you could be fined if you allow the smoke to drift across the road and become a danger to traffic. Always chose suitable location as far away from public roads as possible.
- This incinerator is only to be used for the slow combustion of garden waste and not for burning household waste, cardboard or paper.

3 Parts



4 Assembly



5 Cleaning, storage and maintenance

Allow the incinerator to cool down completely before any cleaning or maintenance task and before placing for storage. Remove ash and remaining waste with brush or other similar suitable tool. Keep this incinerator covered and dry when not in use to extend the working life. If exposed to weather elements this product might discolour and rust over time. This is not a fault and is to be expected. Check the connections before each use to ensure tight and secure fit. Tighten up any loose bolts.

Made in China for:
Bonnington Plastics Limited
Kingfisher House, Glaisdale Parkway
Nottingham
NG8 4GP

| | | | |
|---------------|-----------------|--|-----------|
| | INSINA | | BATCH NO. |
| | 5 013478 144812 | | |
| BPL - NG8 4GP | B1808P/M | | |